

# ULISSE PLUS

## OUTDOOR PTZ UNIT FOR CAMERAS WITH MEDIUM SIZE LENSES



### MAIN FEATURES

Weatherproof housing for medium/large-size lenses  
Autopan, Preset, Patrol  
Variable speed: from 0.02°/s up to 100°/s horizontal - from 0.02°/s up to 50°/s vertical  
Variable speed with UPTIRN LED illuminators: from 0.02°/s up to 40°/s horizontal - from 0.02°/s up to 30°/s vertical  
Horizontal continuous rotation, vertical from -40° up to +90°  
Optical sensors for absolute positioning feedback  
Position accuracy: 0.02°  
Up to 250 Presets  
Integrated wiper  
Operating temperature: from -20°C (-4°F) up to +60°C (140°F)  
Power supply: 230Vac, 24Vac or 120Vac

### OPTIONS

Prearrangement for mounting of two UPTIRN LED illuminators  
Cold pack for low temperature down to -30°C (-22°F)

### DESCRIPTION

ULISSE PLUS is a robust and efficient Pan/Tilt/Zoom unit designed to give dynamic, non-stop surveillance of large outdoor areas whilst withstanding harsh weather conditions, thereby reducing maintenance to zero.

The accurate top-mount configuration guarantees long-range vision and continuous horizontal axis rotation, combining high speed with absolute tracking accuracy, both in manual mode and in patrol mode.

This model can contain cameras with medium-sized lenses.

The unit is equipped with a wiper for removing rain and dust from the front glass; there is a wide selection of jerry cans with washer pump, different capacities and heads.

To ensure detailed images even during the night hours, versions are available with LED illuminators, with infrared light or white light.

The unit is equipped with optical sensors which ensure the accurate control of the position in any condition of use.



ULISSE PLUS



ULISSE PLUS + 2 UPTIRN

## TECHNICAL DATA

### GENERAL

Top mount (OTT)  
Transmission through toothed belt  
Slip-ring  
Electronic limit switches  
Simplified installation thanks to the connector and easy replacement on-site  
Zero backlash  
Optical sensors for absolute positioning feedback  
Integrated wiper  
Configuration of telemetry protocol parameters through dip-switch for RS-485  
Maximum number of presets for protocol: 250 (VIDEOTEC MACRO)  
15 characters string for Area and Preset titling  
Configuration through OSM

### MECHANICAL

Constructed from aluminium and tecnopolymer  
Epoxy polyester powder painting, RAL9002 colour  
Horizontal rotation: 360°, continuous rotation  
Vertical rotation: from -40° up to +90°  
Horizontal speed (variable): from 0.02°/s up to 100°/s (from 0.02°/s up to 40°/s, with LED illuminators)  
Tilt speed (variable): from 0.02°/s up to 50°/s (from 0.02°/s up to 30°/s, with LED illuminators)  
Accuracy of preset positions: 0.02°  
Internal usable area: See drawings  
Cable glands: 3xM16  
Unit weight: 17.3kg (38lb) (17.8kg (39.2lb) with LED illuminators bracket)

### HOUSING'S WINDOW

Glass window extra clear

- Dimensions (WxH): 124mm (4.9in)x112mm (4.4in)

Germanium window

- Usable diameter: 60mm
- Thick: 2mm (0.08in)
- External treatment: antiscratch (Hard Carbon Coating - DLC), antireflection
- Internal treatment: antireflection
- Spectral range: from 7.5µm up to 14µm
- Medium transmittance (from 7.5µm up to 11.5µm): 90%
- Medium transmittance (from 11.5µm up to 14µm): 77%

### ELECTRICAL

Supply voltage/Current consumption:

- 230Vac, 0.4A, 50/60Hz
- 24Vac, 4A (8A with LED illuminators), 50/60Hz
- 120Vac, 0.8A, 50/60Hz

Power consumption:

- 100W
- 150-190W max with LED illuminators in 24Vac
- 28.5W, P&T static, heating switched off

Camera power supply: 12Vdc, 800mA

Cables input section:

- 0.75mm<sup>2</sup> (18AWG), 120Vac or 230Vac
- 1.5mm<sup>2</sup> (16AWG), 24Vac

Cables signal section: from 0.14mm<sup>2</sup> (26AWG) up to 0.5mm<sup>2</sup> (20AWG)

Housing heater (standard): 20W max

### VIDEO

Video line: coaxial cable (1Vpp, 750hm)

### SERIAL COMMUNICATIONS

RS-232 interface for firmware update  
2-ports RS-485 for daisy chain configuration  
Addressable through dip-switch up 255 units  
Configuration of telemetry protocol parameters through dip-switch  
Serial communication protocol: AMERICAN DYNAMICS, PANASONIC, PELCO D, VIDEOTEC MACRO, VISTA

### I/O INTERFACE

Alarm input:

- 4 (standard version)
- 2 (version with LED illuminators)
- Control voltage: From 10Vdc up to 35Vdc

Dry contacts:

- 2 (standard version)
- 1 (version with LED illuminators)
- Applicable voltage: 50Vdc max or 30Vac @ 1A

### LENSES

Power supply: From 6Vdc up to 15Vdc, 200mA max  
Control: Polarity inversion and common wire

### ENVIRONMENT

For installation indoors and outdoors  
Operating temperature

- With heater: -20°C (-4°F)/+60°C (140°F)
- With reinforced heater: -30°C (-22°F)/+60°C (140°F)

Surge immunity: up to 2kV line to line, up to 4kV line to earth (Class 4)  
Relative humidity: from 10% up to 95% (no condensation)

### CERTIFICATIONS

Electrical safety (CE): EN60950-1, IEC60950-1  
Electromagnetic compatibility (CE): EN50130-4, EN61000-6-3, EN55022 (Class B), FCC Part 15 (Class B)  
Outdoor installation (CE): EN60950-22, IEC60950-22  
IP protection degree: EN60529 (IP66)  
Salty fog resistance: EN50130-5, EN60068-2-52  
UL certification: cULus Listed (TYPE 4X)  
EAC certification

### ACCESSORIES

UPTIRN108A00	LED illuminator for ULISSE, 10°, 850nm, 24Vac - 12/24Vdc
UPTIRN308A00	LED illuminator for ULISSE, 30°, 850nm, 24Vac - 12/24Vdc
UPTIRN608A00	LED illuminator for ULISSE, 60°, 850nm, 24Vac - 12/24Vdc
UPTIRN109A00	LED illuminator for ULISSE, 10°, 940nm, 24Vac - 12/24Vdc
UPTIRN309A00	LED illuminator for ULISSE, 30°, 940nm, 24Vac - 12/24Vdc
UPTIRN10WA00	LED illuminator for ULISSE, 10°, white light, 24Vac - 12/24Vdc
UPTIRN30WA00	LED illuminator for ULISSE, 30°, white light, 24Vac - 12/24Vdc
UPTIRN60WA00	LED illuminator for ULISSE, 60°, white light, 24Vac - 12/24Vdc

UPTIRPS230N	External power supply for ULISSE series, prearranged for two LED illuminators, and control to synchronize IR illuminators with camera Day/Night switching, IN 230Vac, in weatherproof box. Twilight sensor included.
UPTIRPS100N	External power supply for ULISSE series, prearranged for two LED illuminators, and control to synchronize IR illuminators with camera Day/Night switching, IN 100Vac, in weatherproof box
UPTIRPS120UL	External power supply for ULISSE series, prearranged for two LED illuminators, and control to synchronize IR illuminators with camera Day/Night switching, IN 120Vac, in weatherproof box. Twilight sensor included.
UPTHT1	Cold pack for low temperature 24Vac, 30W
UPTJBUL	Junction weatherproof box for cables connexion (according UL norm)
WASPTOV5L5M00	Water tank 5l (1 gal), pump with delivery up to 5m (16ft), IN 230Vac-24Vac-120Vac
WASPTOV23L5M00	Water tank 23l (6 gal), pump with delivery up to 5m (16ft), IN 230Vac-24Vac-120Vac
WASPTOV23L11M00	Water tank 23l (6 gal), pump with delivery up to 11m (36ft) with water floating, IN 230Vac-24Vac-120Vac
WASPT1V23L30M00	Water tank 23l (6 gal), pump with delivery up to 30m (98ft) with water floating, IN 230Vac
WASPT3V23L30M00	Water tank 23l (6 gal), pump with delivery up to 30m (98ft) with water floating, IN 120Vac
WASN1V10L20M00	Tank 10l with integrated manual pump controlled by solenoid valve, delivery head up to 20m (66ft) max, IN 230Vac
WASN2V10L20M00	Tank 10l with integrated manual pump controlled by solenoid valve, delivery head up to 20m (66ft) max, IN 24Vac
WASN3V10L20M00	Tank 10l with integrated manual pump controlled by solenoid valve, delivery head up to 20m (66ft) max, IN 120Vac

#### RELATED PRODUCTS

SM82A	Video matrix 8 inputs and 2 outputs
SM164B	Video matrix 16 inputs and 4 outputs
SM328B	Matrix 32 inputs and 8 outputs
DCJ	Keyboard for video and telemetry control
DCZ	Universal control keyboard for PC applications

#### BRACKETS AND ADAPTORS

UPTWBA	Wall bracket with internal cable channel
UPTWBTAB	Parapet bracket with internal cable channel
PTCC1	Pole mount adaptor
WCWGC	Corner mount adaptor

#### PACKAGE

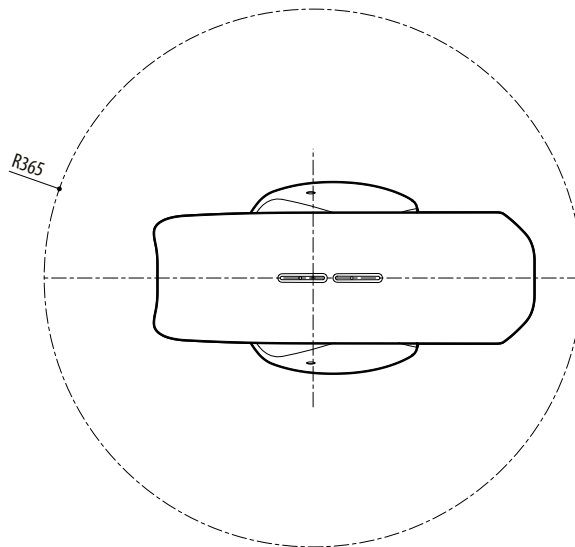
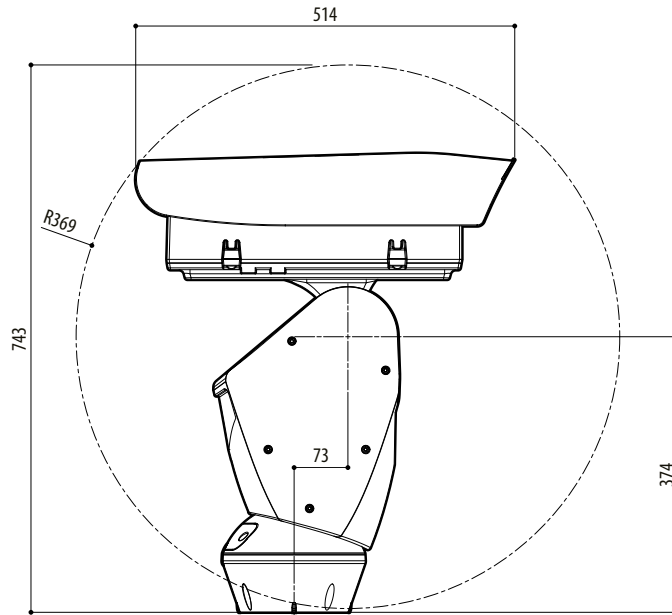
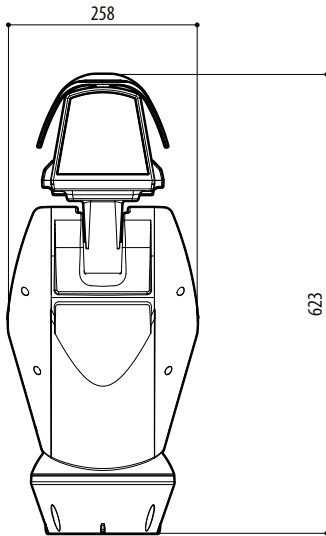
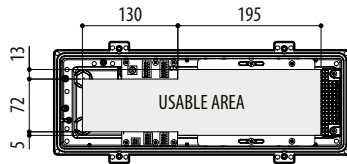
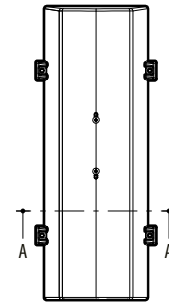
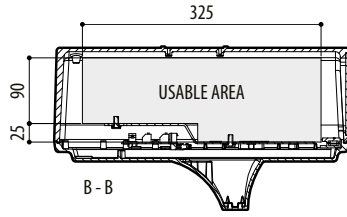
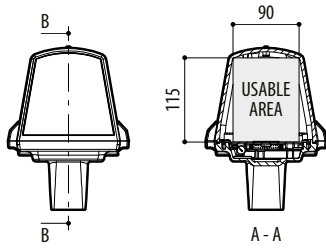
Model Number	Weight	Dimensions (WxHxL)	Master carton
UPT1SMSA000E	20kg (44lb)	66x33x57cm (26x13x22in)	-
UPT1SMWA000E	20.5kg (45lb)	66x33x57cm (26x13x22in)	-
UPT1SMJA000E	21kg (45lb)	66x33x57cm (26x13x22in)	-

#### ULISSE PLUS - CONFIGURATION OPTIONS

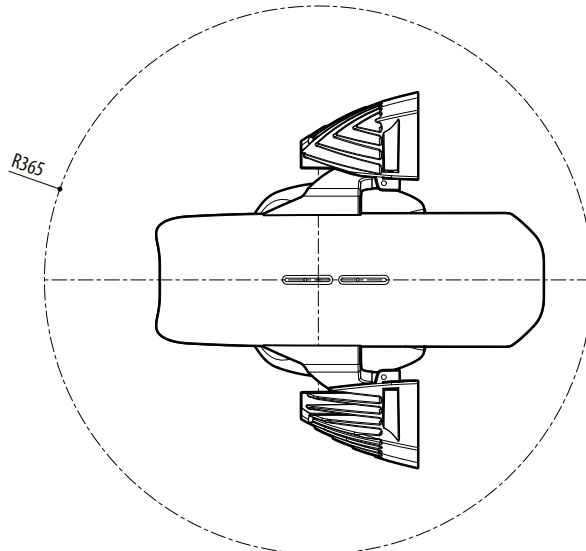
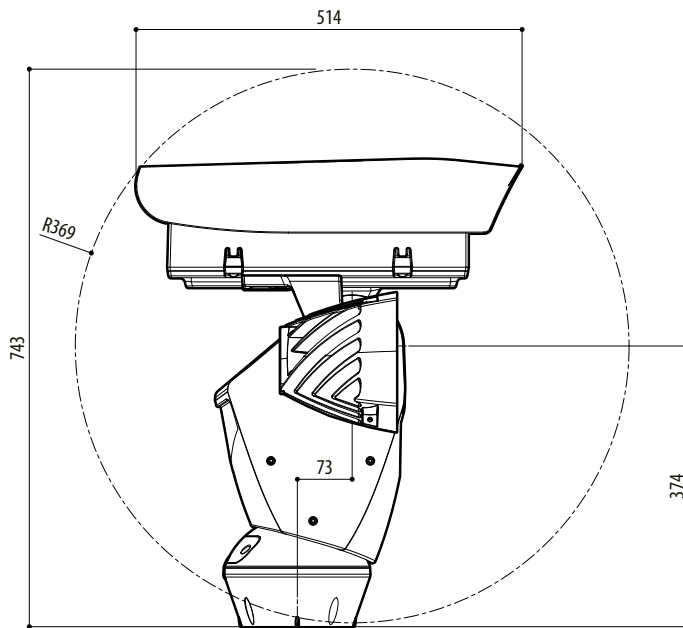
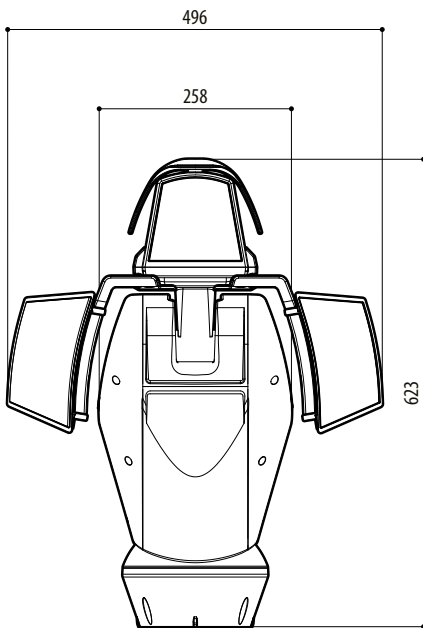
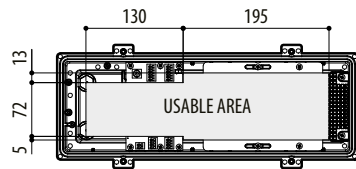
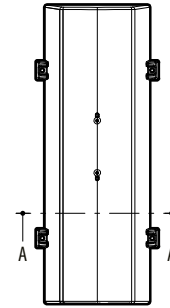
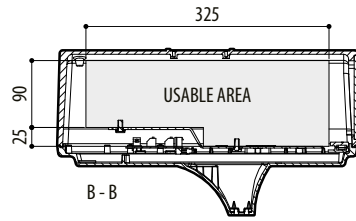
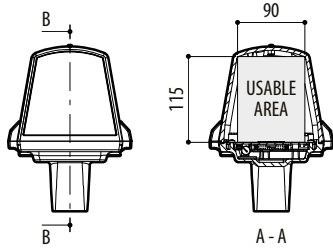
	Voltage		Options		Video Output		
<b>UPT</b>	<b>1</b>	230Vac	<b>SM</b>	<b>W</b> With wiper	<b>A</b>	<b>0</b> Analog control	<b>00E</b>
	<b>2</b>	24Vac		<b>J</b> With wiper and brackets for UPTIRN (only 24Vac, illuminators not included)			
	<b>3</b>	120Vac					

# TECHNICAL DRAWINGS

The dimensions of the drawings are in millimetres.



ULISSE PLUS



ULISSE PLUS, VERSION PRE-ARRANGED FOR THE INSTALLATION OF TWO LED ILLUMINATORS