

WAT-2200D 1/2.8" Professional 3G-SDI/HD-SDI Waterproof Camera

Full HD CMOS sensor

NEW

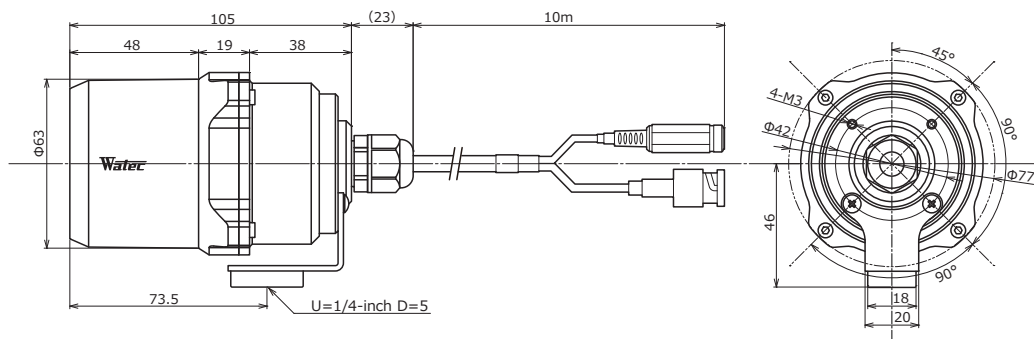


※No CE & FCC

Key features

- Durable aluminum housing IPX8 (10m) *Stainless steel housing available on request
- Various function settings available to order (AE mode, white balance, gain control, BLC, etc.)
- Noise reduction, wide dynamic range
- Digital interface 3G-SDI/HD-SDI, HD resolution of 1080p60 Full HD
*Digital interface selectable (Std. HD-SDI)
- Megapixel lens selectable from f3.0 ~ 9.0mm (Std. f3.0) on request

Dimensions



Specifications

Pick-up element	1/2.8-inch CMOS image sensor
Number of effective pixels	1920(H)×1080(V)
Unit cell size	2.8μm×2.8μm
Imaging system	RGB+W array mosaic filters on chip
Synchronizing system	Internal
Scanning System	Progressive
Video Output	HD-SDI
Output format	1080/60i
Minimum Illumination	0.1 lx F1.2
Resolution (H)	More than 800TVL
S/N	More than 50dB
AE mode	E.I+AGC
Shutter speed	OFF - 1/10000 sec.
Flickerless mode	AUTO
AGC	0 - 42dB
MGC	0 - 30dB
White balance	ATW
Noise reduction	OFF
Mirror image	OFF
Wide dynamic range	OFF
Gamma characteristics	ON
Back light compensation	OFF
Lens iris	DC
Power supply	DC+12V±10%
Power consumption	2.22W/185mA (1080/60i)
Operating temperature	-10 - +50°C
Storage temperature	-30 - +70°C
Operating / Storage humidity	95% RH or less (Without condensation)
Cable length	10m (Max. 30m)
Built-in lens	f=3.0mm F1.2 (f=3.0 - 9.0mm Varifocal lens)
Weight	Approx. 820g (Including cable)

※Various function controls are available on request. Please contact Wattec or your supplier for details

Accessories Options

WAT-2200D

